



Submerged pumps and pumping units on their basis are designed for pumping of weak aggressive and neutral liquids with density of no more than 1050 kg/m^3 , containing solid impurities up to 0.2 mm and volume concentration no more than 1.5% .

Electric pumping units are manufactured of two types:

- general-purpose (KhPV);
- of explosive version (KhPE).

Technical data

Designation	Capacity, m^3/hour	Head, m	Power, kW		Efficiency, %		Motor	
			pump	unit	pump	unit	Power, kW	Rotational speed, s^{-1} (rpm)
KhPV 80-50-200-D	0.014(50)	46	10.0	10.8	62	55	15	50(3000)
KhPV 80-50-250-K	0.014(50)	80	20.1	21.6	58	54	22	50(3000)
KhPE 50-32-200-D-55	0.0035(12.5)	50	2.0	2.2	40	38	5.5	50(3000)
KhPE 80-50-200-D-55	0.014(50)	46	10.0	10.8	62	55	15	50(3000)
KhPE 80-50-250-D-55	0.007(25)	20	1.35	1.4	57	53	5.5	25(1500)

The example of pump designation

"Pump KhPV 80-50-200-D"

"Electric pumping unit KhPV 80-50-200-D"

where KhPV - submerged vertical pump;

80 - inlet connection diameter, mm;

50 - discharge pipe diameter;

200 - pump impeller diameter;

D - inner flowing part material;

D - steel 20X13Л.

"Pump KhPE 50-32-200-D-55"

"Electric pumping unit KhPE 50-32-200-D-55",

where KhPE - submerged vertical pump;

50 - inlet connection diameter, mm;

32 - discharge pipe diameter;

200 - pump impeller diameter;

D - inner flowing part material;

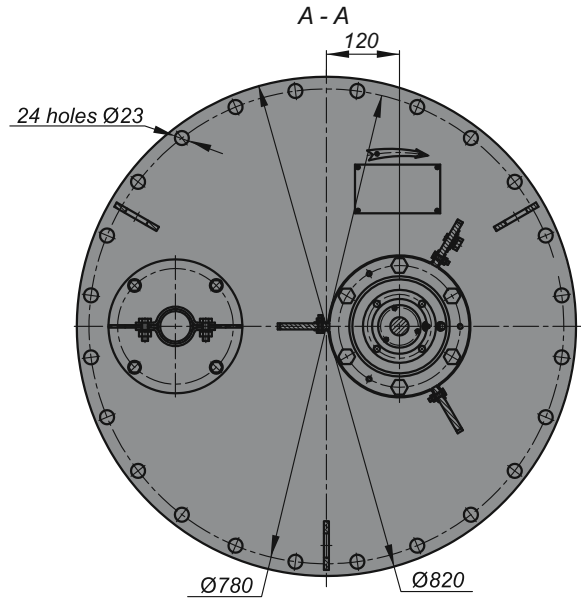
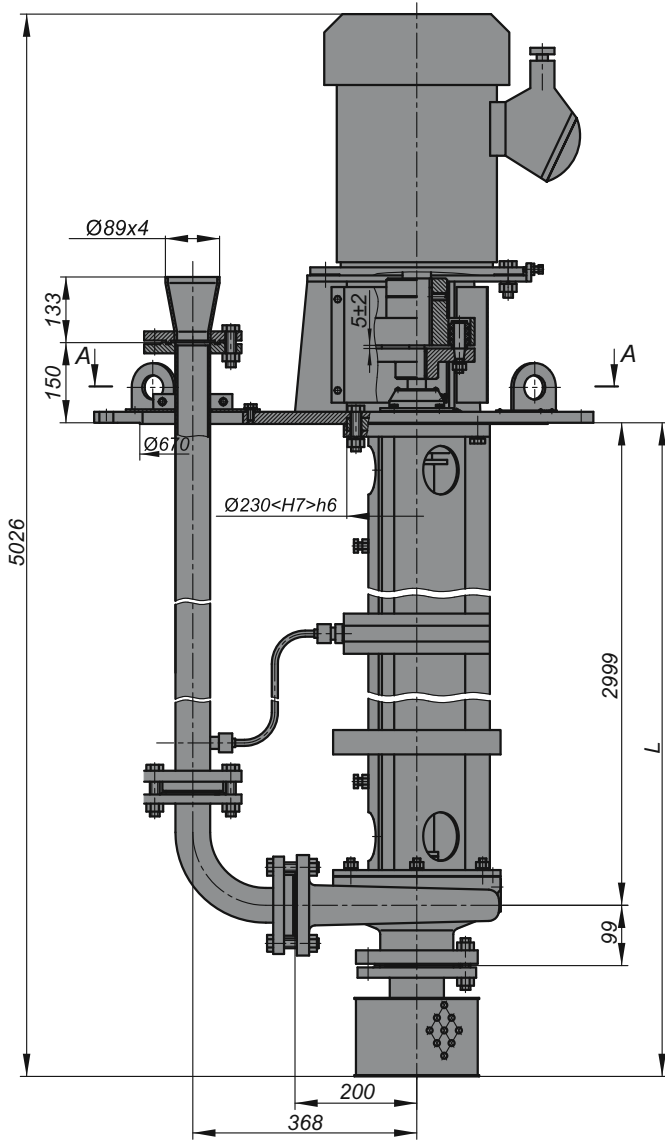
D - steel 20X13Л;

55 - the type of rotor end seal;

55 - doubled end seal.

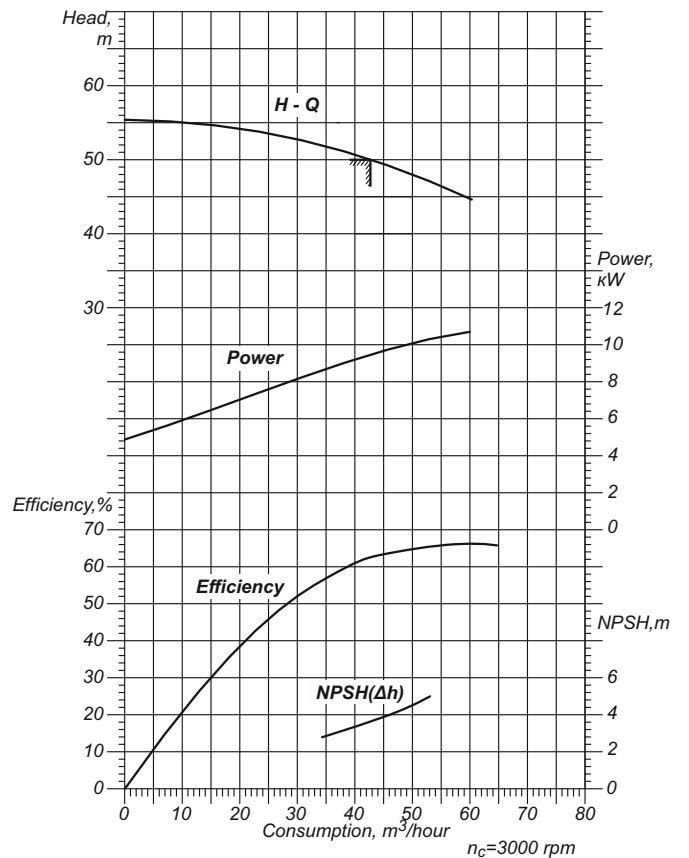
The Company improves the pumping equipment and equips pumping units with the motors of different manufactures. Thereby when ordering, please specify overall and mounting dimensions and required parameters according to the recommended form of Data Sheet.

Dimensional drawing of electric pumping unit KhPV 80-50-200-D

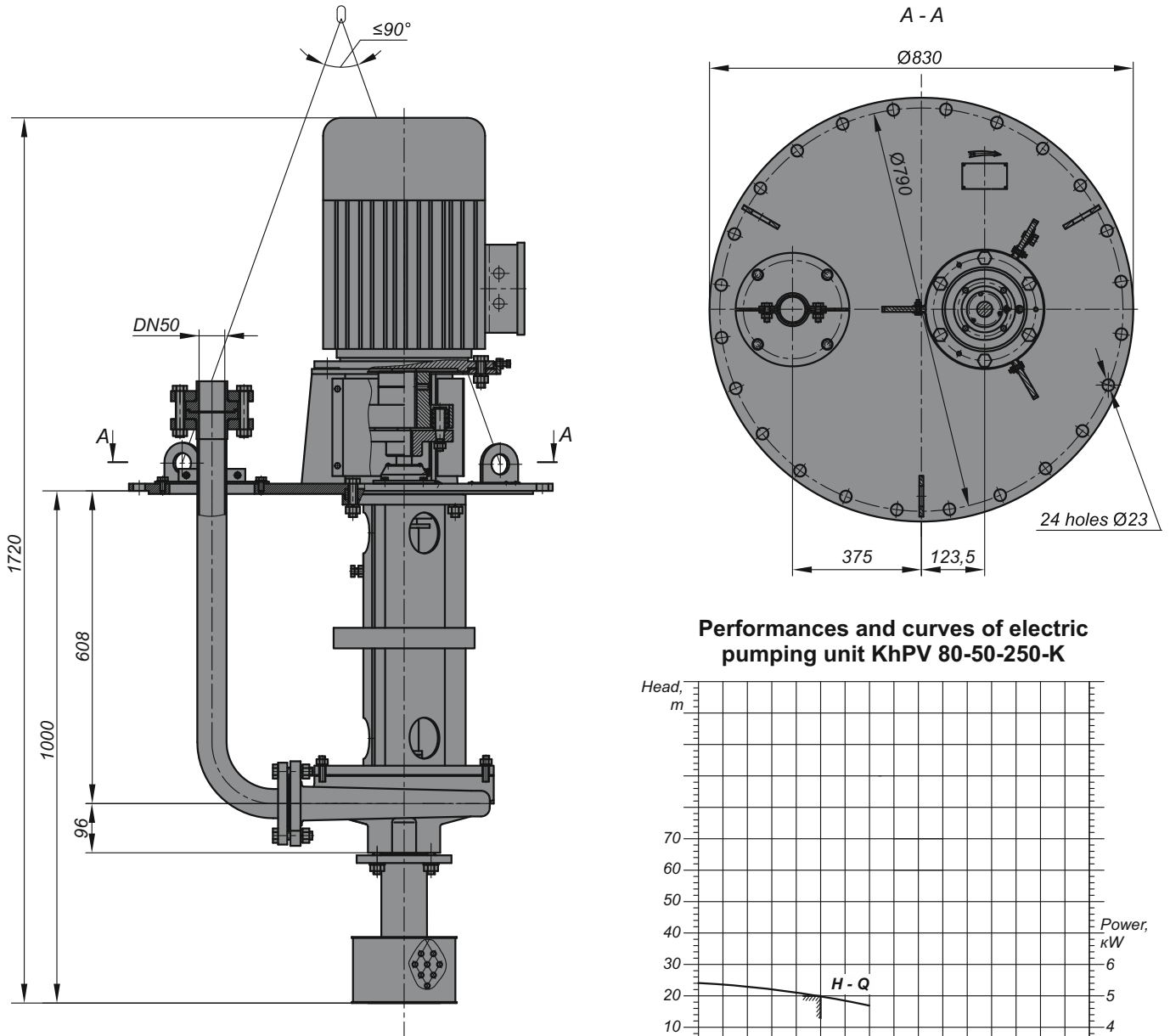


Submerged depth L, mm	Weight, kg
4316	579
3286	589

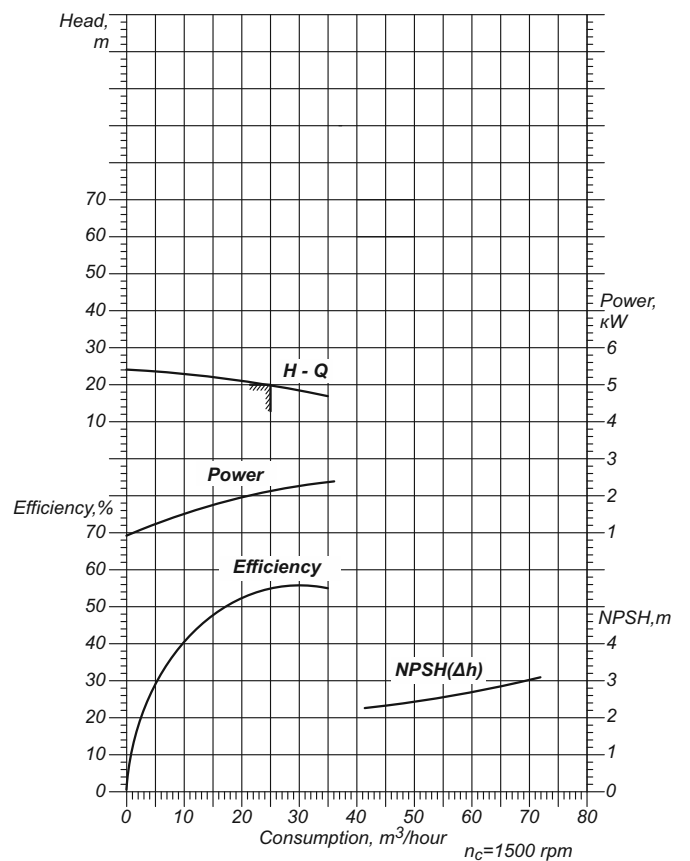
Performances and curves of electric pumping unit KhPV 80-50-200-D



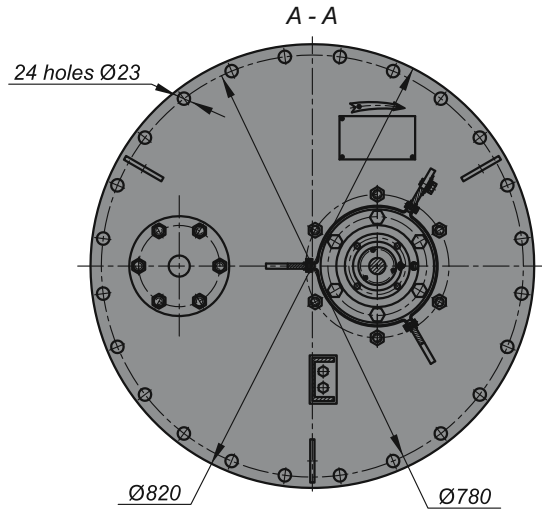
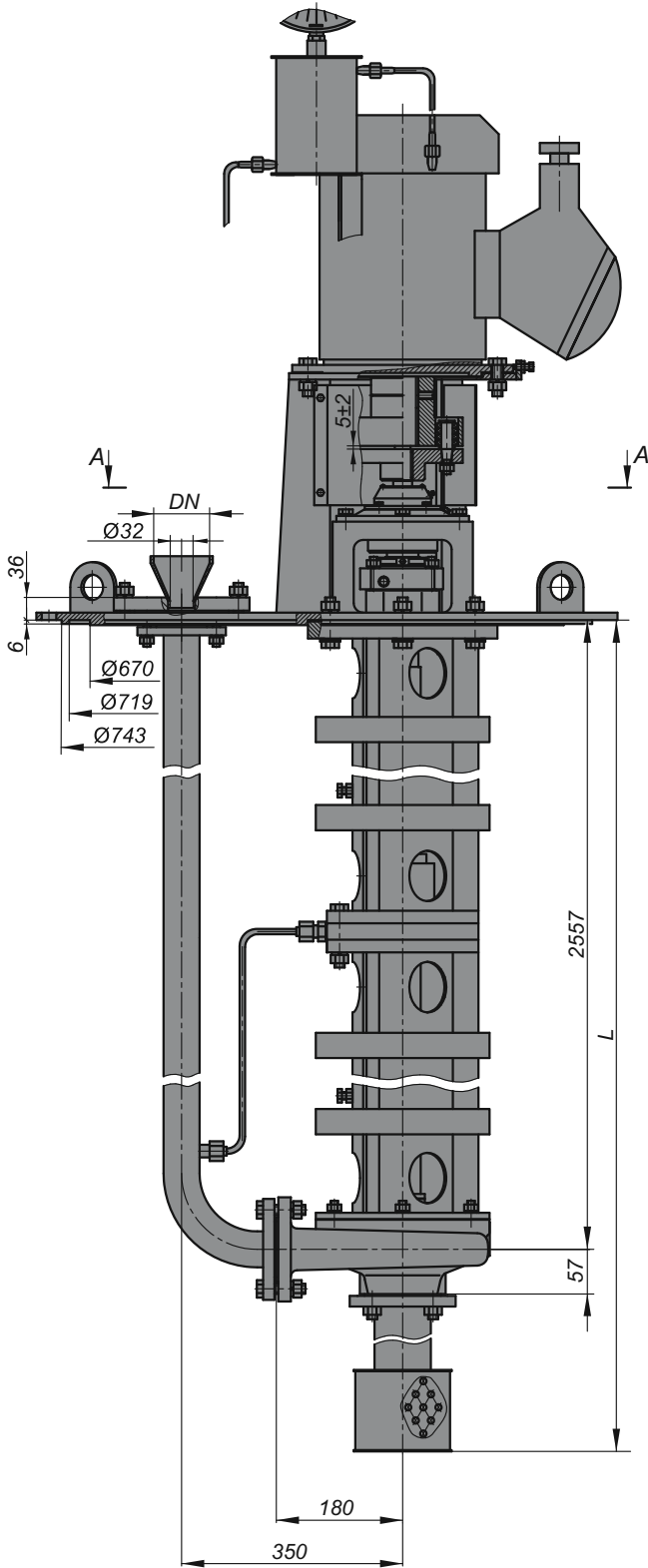
Dimensional drawing of electric pumping unit KhPV 80-50-250-K



Performances and curves of electric pumping unit KhPV 80-50-250-K

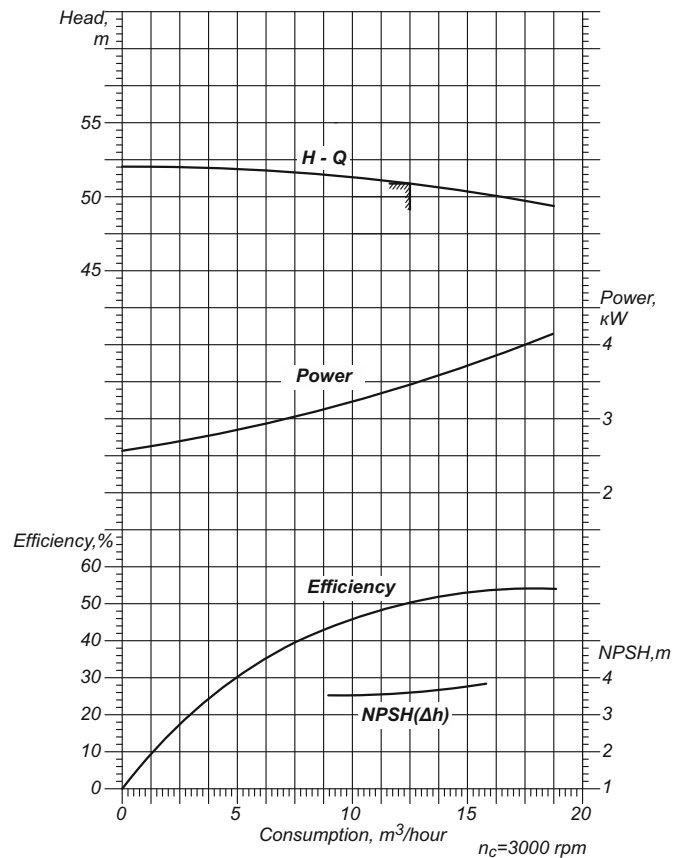


Dimensional drawing of electric pumping unit KhPE 50-32-200-D-55

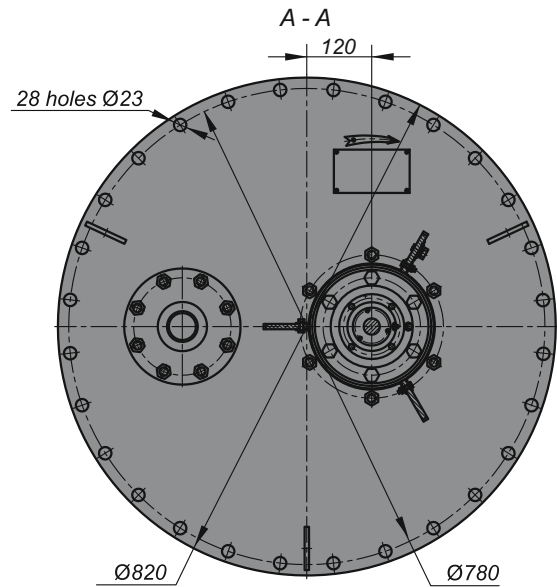
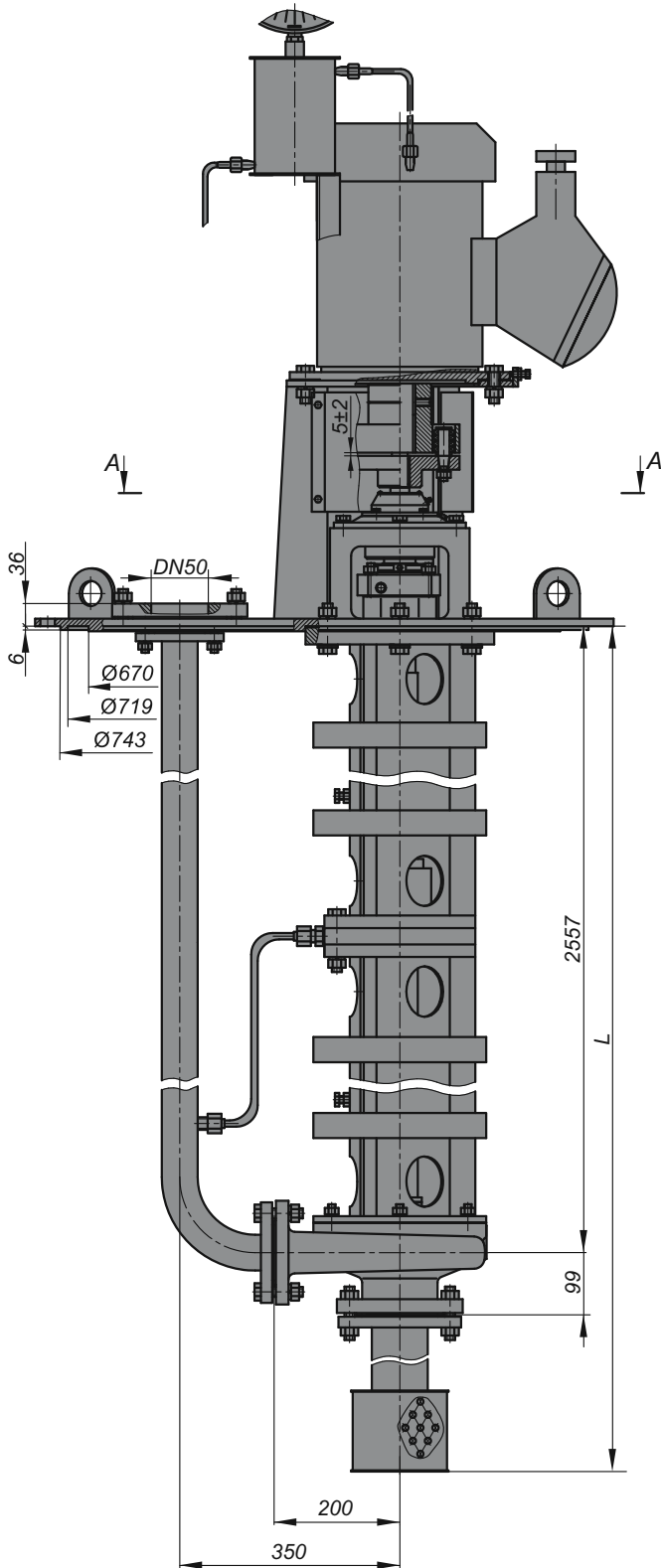


Submerged depth L, mm	DN, mm	Weight, kg
2850	50	464
3350	50	466
3750	80	468
4150	80	470
4350	80	471

Performances and curves of electric pumping unit KhPE 50-32-200-D-55

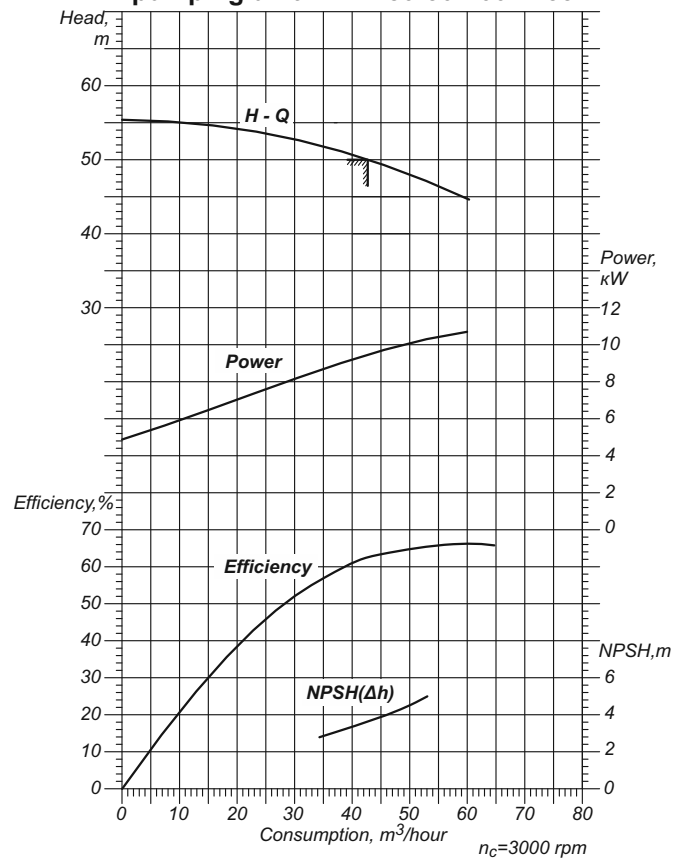


Dimensional drawing of electric pumping unit KhPE 80-50-200-D-55

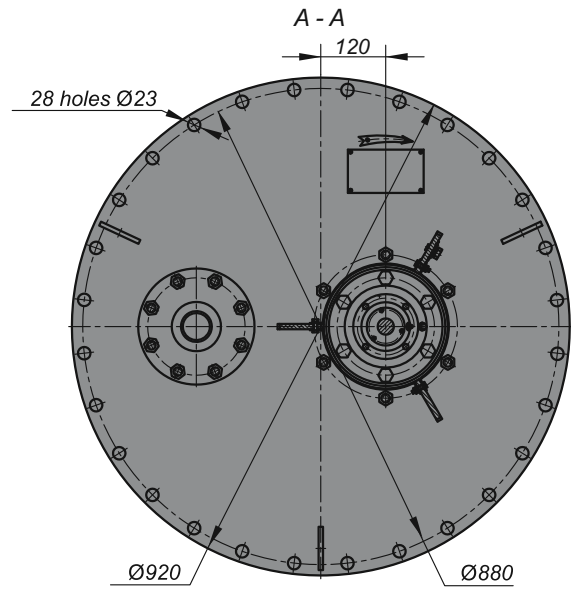
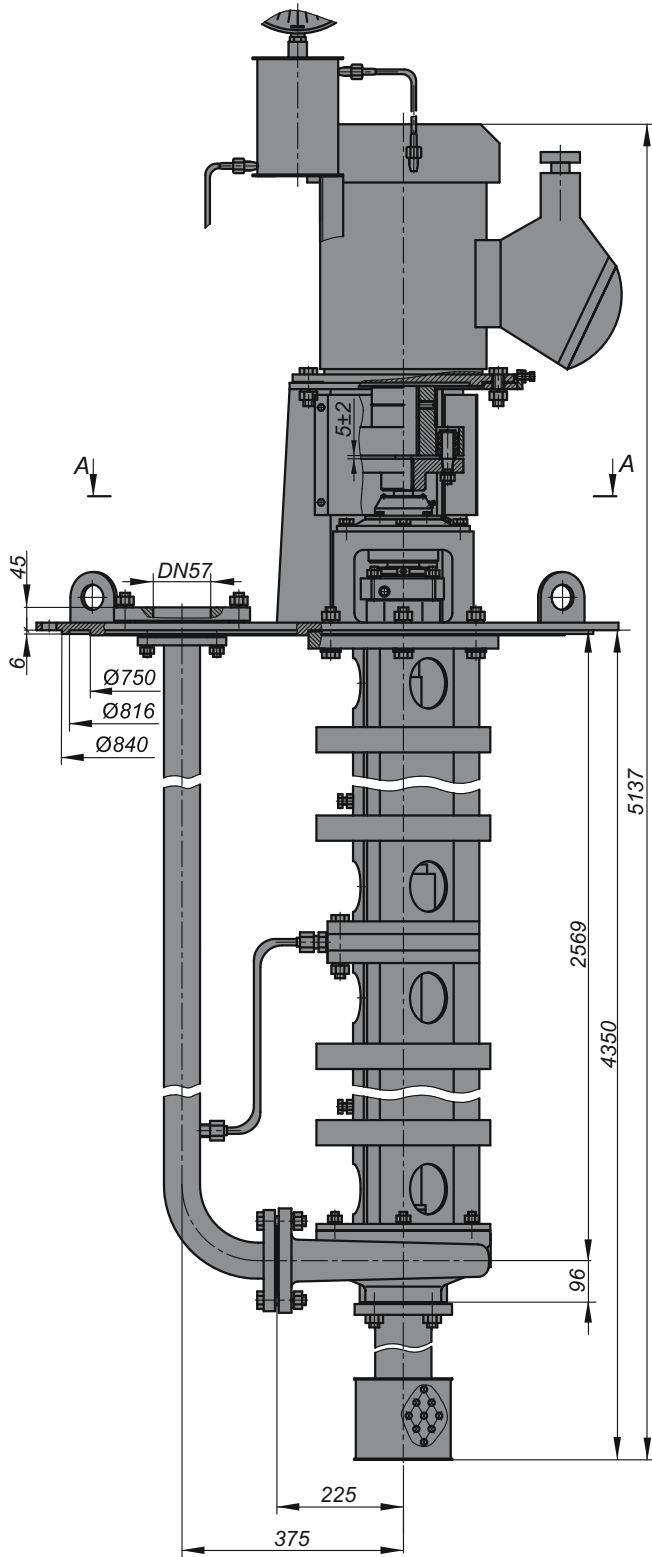


Submerged depth L, mm	Weight, kg
4150	576
3350	571

Performances and curves of electric pumping unit KhPE 80-50-200-D-55



Dimensional drawing of electric pumping unit KhPE 80-50-250-D-55



Performances and curves of electric pumping unit KhPE 80-50-250-D-55

